

Excellent Clamping



**Zero-point
quick-change
clamping system**



Königdorn® clamping tools with zero-point quick-change system

For decades, König-mtm has been one of the leading producers of high-precision clamping elements for modern machine tools.

The broad product range of the Königdorn® brand comprises, among other things, work-piece clamping tools such as mandrels and chucks in hydraulic, mechanical and hydro-mechanical versions.

Newly developed products for quick and easy tool change

To meet the need for minimal tooling effort and more cost-effective re-tooling times, König-mtm is presenting clamping tools with the zero-point quick-change system.

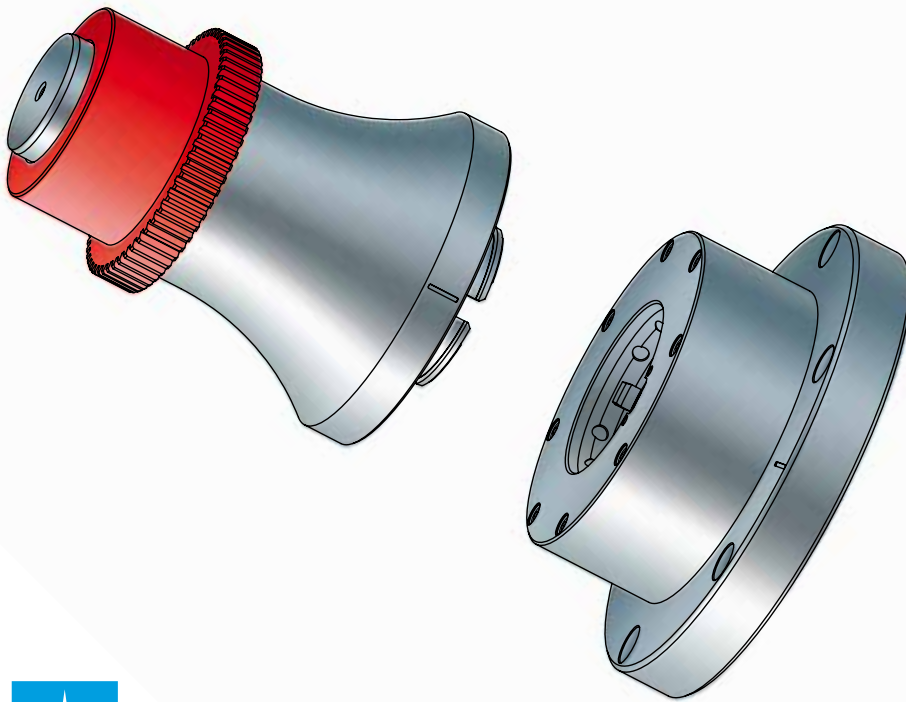
To this end, high-precision quick-change chucks based on the zero-point pallet system are combined with Königdorn® clamping tools (hydraulic or mechanical mandrels or chucks).

Zero-point clamping systems facilitate extremely fast and simple tool change with maximum precision.

Maximum radial and axial run-out accuracy

The newly developed, extremely sturdy and deflection-resistant joint between the clamping tool and pallet achieves outstanding repeat accuracy in both radial and axial run-out and is thus ideally suited for a wide range of machining processes, e.g. turning and hobbing through to high-precision gear grinding.

The zero-point quick change chucks are actuated pneumatically (automatically via the machine tool or manually via a blow gun). The Königdorn® clamping tools are operated in the usual fashion via the machine tool's hydraulics (by means of a push-rod or oil pressure).



Product features

- Ease of handling (no bolting-on)
- Maximum radial and axial run-out precision (repeat accuracy $\leq 3 \mu\text{m}$)
- Amenable to automation
- Minimal tooling effort/time
- High workpiece flexibility
- Improved productivity



König-mtm GmbH, Spanntechnik

Postfach 1463 · 97864 Wertheim
Am Stammholz 13 · 97877 Wertheim
Tel.: +49 (0) 93 42 876-0
Fax: +49 (0) 93 42 876-123
e-Mail: sales@koenig-mtm.de
www.koenig-mtm.de